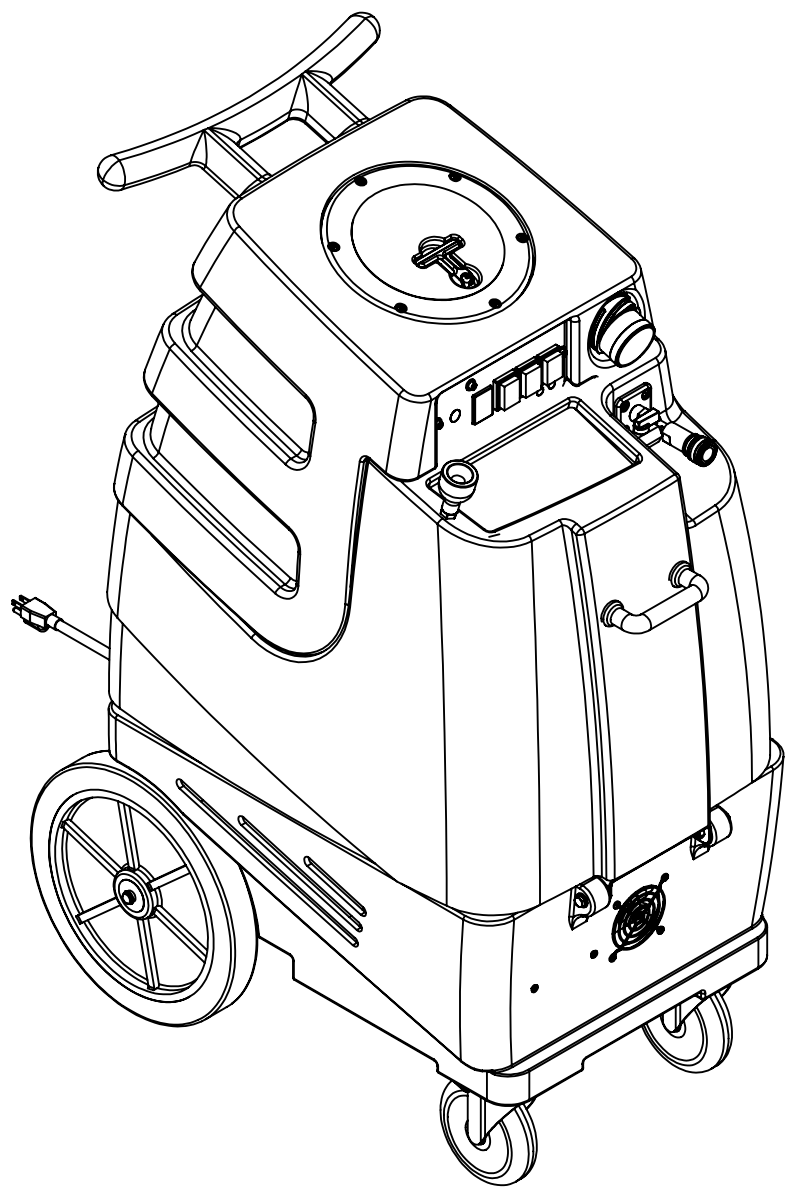


| ITEM NO. | PART NO. | DESCRIPTION                                    | QTY. | MSRP        |
|----------|----------|--|------|-------------|
| 1        | H304     | screw, #8 x 5/8 phil oval, s/s                 | 14   | \$0.99 ea   |
| 2        | H296     | guard, cooling fan, wire                       | 2    | \$2.99 ea   |
| 3        | H186     | screw, 10-32 x 3/4, phil flat full thread      | 2    | \$0.99 ea   |
| 4        | E370     | controller, water level, dual pump or vac      | 1    | \$133.99 ea |
| 5        | H273     | nut, kep, #10-32 zinc                          | 8    | \$0.99 ea   |
| 6        | H216     | nut, lock, 1/4-20, nylon insert, s/s           | 10   | \$0.99 ea   |
| 7        | H210     | washer, 1/4" flat, s/s                         | 22   | \$0.99 ea   |
| 8        | H342     | bolt, 1/4-20 x 1" hex head, s/s                | 8    | \$0.99 ea   |
| 9        | H666     | caster, 5", Black hub & gray tread             | 2    | \$23.19 ea  |
| 10       | H371     | axle, 18.03" x .50" dia                        | 1    | \$9.99 ea   |
| 11       | H254     | washer, axle, cut 1/2" id                      | 4    | \$0.99 ea   |
| 12       | H251     | wheel, 12"                                     | 2    | \$41.99 ea  |
| 13       | H042     | c-clip, 12mm, external                         | 2    | \$0.99 ea   |
| 14       | H221     | nut, lock, 1/2" steel                          | 1    | \$1.99 ea   |
| 15       | H220     | fitting, strain relief, cord                   | 1    | \$3.19 ea   |
| 16       | E550     | power cord, pigtail, 30', 12/3, black          | 1    | \$11.49 ea  |
| 17       | P731     | base   | 1    | \$141.99 ea |
| 18       | H202     | bolt, 1/4-20 x 3/4" hex head, s/s              | 6    | \$0.99 ea   |
| 19       | PH615-26 | sol hose, 1/2" kuri 100psi                     | 1    | \$8.99/ft   |
| 20       | B173     | ferrule, 1/2", brass                           | 2    | \$0.99 ea   |
| 21       | B160     | adapter, brass, 1/2" barb x 3/8" fsw, ball end | 1    | \$3.49 ea   |
| 22       | B186     | elbow, brass, 90 deg, 3/8"mpt x 3/8" fmpt      | 1    | \$8.99 ea   |
| 23       | AH120    | sol hose, 28" x 1/4", 1/4 fpt                  | 2    | \$35.49 ea  |
| 24       | B136     | elbow, brass, 90 deg, 1/4" mpt x 1/4" mpt      | 1    | \$4.99 ea   |
| 25       | B105     | bushing, brass, 3/8"mpt x 1/4"                 | 1    | \$3.19 ea   |
| 26       | H299     | washer, 11/16" id x 1-1/2" od x .075, s/s      | 4    | \$0.99 ea   |
| 27       | H222     | screw, 10-32 x 1-1/4" phil pan head, s/s       | 4    | \$0.99 ea   |
| 28       | C322D    | pump, 220psi, diaphragm, 115V                  | 1    | \$208.99 ea |
| 29       | B172     | elbow, brass, 90 deg, 1/2" barb x 3/8"mpt      | 1    | \$9.49 ea   |
| 30       | H912     | bracket, rear, fb/spy                          | 1    | \$9.99 ea   |
| 31       | H770     | bolt, 1/4-20 x 1/2" serrated hex flange, zinc  | 8    | \$0.99 ea   |
| 32       | H307     | washer, star, 1/4" steel zinc                  | 2    | \$0.99 ea   |
| 33       | G052     | washer, buna 1-1/8" od x 3/16" id              | 6    | \$1.99 ea   |
| 34       | H211     | washer, 1/4" id x 1" od, flat, s/s             | 6    | \$0.99 ea   |
| 35       | H124     | Cuff-Lynx, 2" mpt x 2" female cuff             | 2    | \$3.99 ea   |
| 36       | H194     | coupler, 2" dia x 2.5" length, s/s             | 2    | \$10.00 ea  |
| 37       | H217     | clamp, hose, 2-1/4 dia                         | 4    | \$1.49 ea   |
| 38       | PH628-24 | vac hose, 2", wire reinforced                  | 1    | \$8.99/ft   |
| 39       | H213     | washer, 1/4" lock, s/s                         | 10   | \$0.99 ea   |
| 40       | H215     | nut, hex, 1/4-20 s/s                           | 2    | \$0.99 ea   |
| 41       | PH612-60 | clear tubing, 1/2" OD x 3/8" ID, faucet fill   | 1    | \$1.99/ft   |
| 42       | B241     | adapter, brass, 3/8" barb x 1/4"mpt            | 1    | \$1.99 ea   |
| 43       | H178     | faucet fill                                    | 1    | \$10.99 ea  |
| 44       | G018     | cover, sol tank (sp)                           | 1    | \$12.99 ea  |
| 45       | P732     | sol tank                                       | 1    | \$141.99 ea |
| 46       | H768     | bolt, 1/4-20 x 3/4" serrated hex flange, zinc  | 2    | \$0.99 ea   |
| 47       | B107     | nipple, brass, 1/4"m, hex                      | 3    | \$3.19 ea   |
| 48       | H484     | plate, mounting, QD                            | 1    | \$4.99 ea   |
| 49       | H256     | screw, 10-32 x 3/4" phil pan head, zinc        | 4    | \$0.99 ea   |
| 50       | B142     | coupling, brass, 1/4" fpt x 1/4" fpt           | 1    | \$4.49 ea   |
| 51       | B135     | tee, brass, 1/4" mpt                           | 1    | \$5.49 ea   |
| 52       | B102     | qd, brass, 1/4" f x 1/4" fpt                   | 1    | \$17.99 ea  |
| 53       | B656     | ball valve, 1/4"                               | 1    | \$13.49 ea  |
| 54       | B109     | adapter, brass, 1/4" barb x 1/4" mpt           | 1    | \$1.99 ea   |
| 55       | B170     | ferrule, 1/4" brass                            | 1    | \$0.99 ea   |

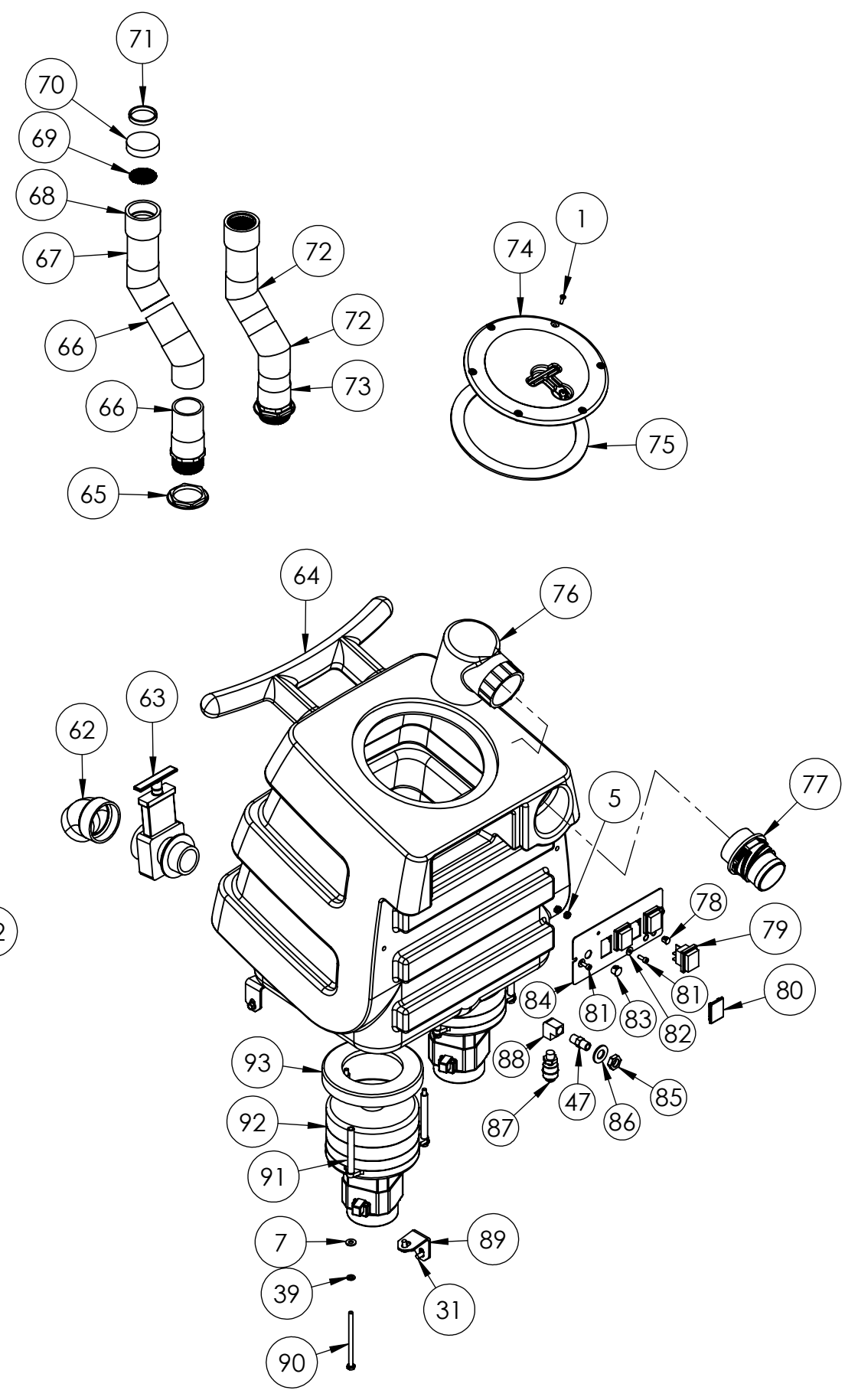
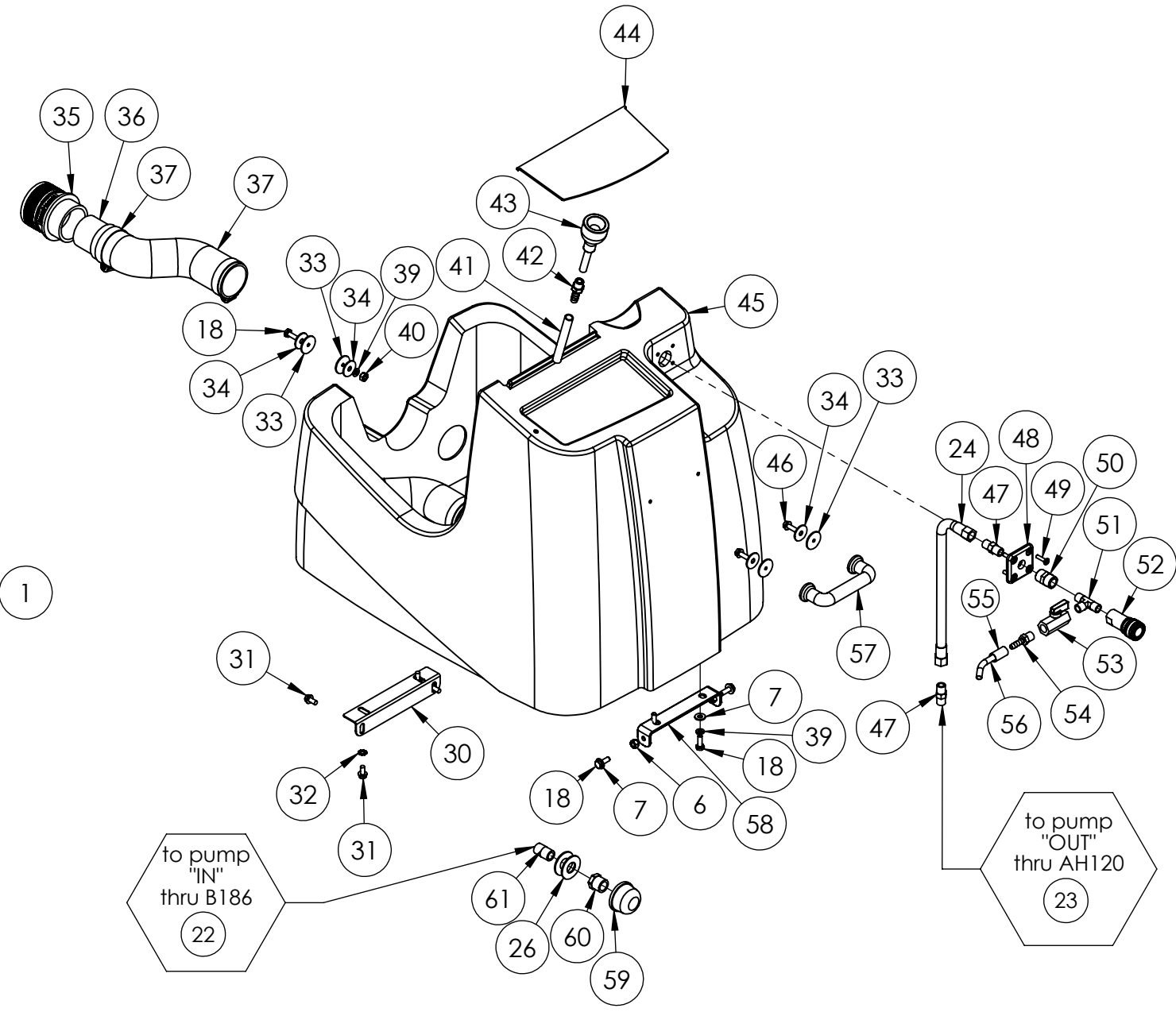
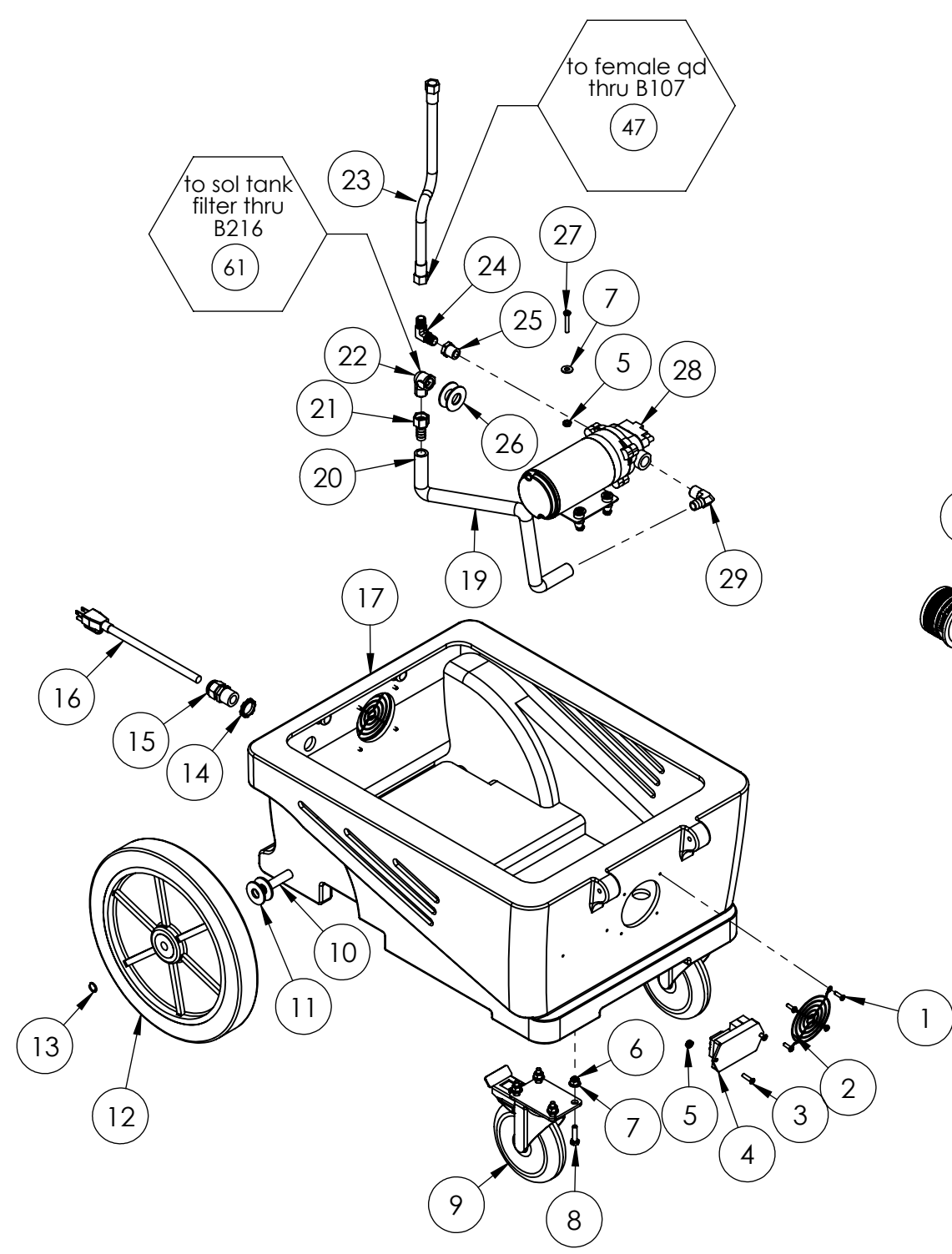
| ITEM NO. | PART NO. | DESCRIPTION                                  | QTY. | MSRP        |
|----------|----------|--|------|-------------|
| 56       | PH634-36 | sol hose, 1/4", silicone braided, clear      | 1    | \$6.49 ft   |
| 57       | H485     | handle, aluminim grip, black                 | 1    | \$6.99 ea   |
| 58       | H378     | bracket, front hinge, sp/fb                  | 1    | \$8.99 ea   |
| 59       | B119A    | filter, strainer, 1/2"                       | 1    | \$6.49 ea   |
| 60       | B210     | bushing, brass, 1/2"mpt x 3/8" fpt, hex      | 1    | \$2.49 ea   |
| 61       | B216     | nipple, brass, 3/8" x close                  | 1    | \$1.99 ea   |
| 62       | H226     | spout, drain, 45 degree                      | 1    | \$3.19 ea   |
| 63       | H225     | valve, drain, 1-1/2"                         | 1    | \$20.99 ea  |
| 64       | P733     | vac tank                                     | 1    | \$190.99 ea |
| 65       | H314     | nut, lock, 1-1/2", steel                     | 2    | \$1.99 ea   |
| 66       | PH633-03 | pipe, pvc, 1-1/2"                            | 4    | \$4.99/ft   |
| 67       | PH633-4  | pipe, pvc, 1-1/2"                            | 2    | \$4.99/ft   |
| 68       | P502     | adapter, 1.5" pvc, fslip x fslip             | 2    | \$5.00 ea   |
| 69       | G097     | screen, mesh filter, 1-1/2" dia              | 2    | \$4.99 ea   |
| 70       | G003     | filter, foam, 2" x .50" o.d.                 | 2    | \$1.99 ea   |
| 71       | PH633-1  | pipe, pvc, 1-1/2"                            | 2    | \$4.99 ft   |
| 72       | P503     | adapter, 1.5" pvc, 45 deg, fslip x fslip     | 4    | \$3.29 ea   |
| 73       | P520     | adapter, pvc, 1-1/2" mpt x 1-1/2" fms        | 2    | \$2.99 ea   |
| 74       | G090     | lid, vac tank, clear, 7"                     | 1    | \$36.99 ea  |
| 75       | G091     | gasket, 7", vac lid                          | 1    | \$11.99 ea  |
| 76       | A926     | elbow, inlet assembly 2"                     | 1    | \$15.99 ea  |
| 77       | H135     | Cuff-Lynx, 2" m cuff x 2" mpt                | 1    | \$3.99 ea   |
| 78       | H765     | plug, vent, heyco, 1/2"                      | 2    | \$0.99 ea   |
| 79       | E515     | switch, rocker, 2 position                   | 3    | \$13.99 ea  |
| 80       | P967A    | plug   | 1    | \$1.99 ea   |
| 81       | H389     | screw, 10-32 x 1/2" SHCS, alloy              | 3    | \$0.99 ea   |
| 82       | H612     | Washer, #8, flat regular                     | 3    | \$0.99 ea   |
| 83       | H434     | plug, vent, heyco, 1/2"                      | 1    | \$4.48 ea   |
| 84       | H348     | plate, switch, 1000DX-200                    | 1    | \$6.99 ea   |
| 85       | B156     | nut, 1/4" npt                                | 1    | \$1.99 ea   |
| 86       | H212     | flat washer, 9/16"ID x 1 1/16"OD, AN960-C916 | 1    | \$0.99 ea   |
| 87       | E373     | level switch, vacuum shut-off, rear threads  | 1    | \$13.99 ea  |
| 88       | B207     | elbow, brass, 90 deg, 1/4" fpt x 1/4" fpt    | 1    | \$5.99 ea   |
| 89       | H390A    | bracket, "L"                                 | 2    | \$6.99 ea   |
| 90       | H096     | bolt, hex, 1/4-20 x 4", zinc Finish          | 6    | \$0.99 ea   |
| 91       | H503     | vac support, 3 stage, 3.25", no thrds        | 6    | \$3.99 ea   |
| 92       | C302LA   | vac motor, 3 stage, low amp                  | 2    | \$139.99 ea |
| 93       | G004     | gasket, vacuum motor                         | 2    | \$8.99 ea   |

**ITEMS NOT SHOWN**

| PART NO. | DESCRIPTION                                  | QTY | MSRP       |
|----------|--|-----|------------|
| E366     | harness, electrical                          | 1   | \$68.99 ea |
| G008     | piglet filter                                | 1   | \$6.29 pak |
| H375     | hanger, wire formed, hose                    | 1   | \$10.99 ea |
| H230     | screw, 10-32 x 1/2" phil pan head, s/s       | 2   | \$0.99 ea  |
| H141     | Cuff-Lynx, 2" x 1.5" reducer                 | 1   | \$3.99 ea  |
| H110     | Cuff-Lynx, 2" hose x 2" fem swivel Cuff-Lynx | 1   | \$3.99 ea  |
| E530     | power cord, ext 50', 12/3 black              | 1   | \$74.99 ea |
| P568A    | cord lock, s-type                            | 1   | \$8.99 ea  |



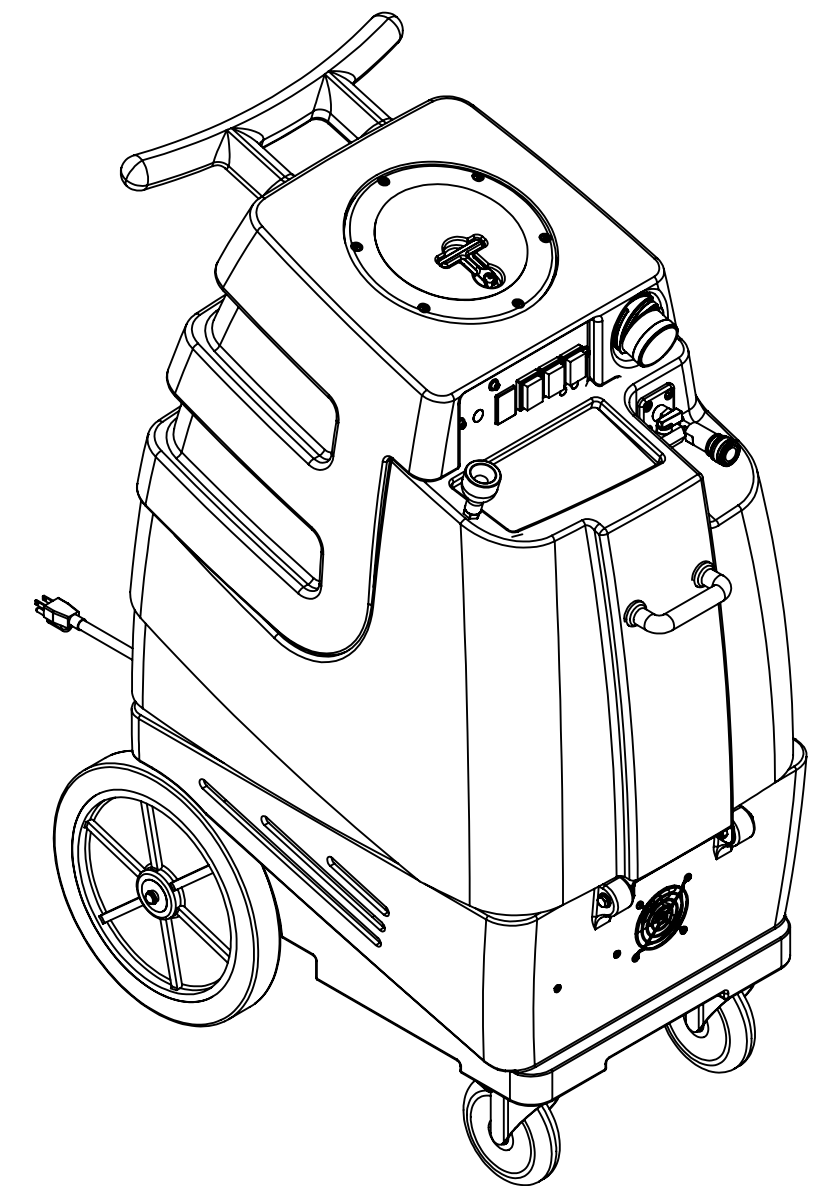
|   |         |   |                      |
|---|---------|---|----------------------|
| NAME  | DATE    | <b>MYTEE PRODUCTS, INC.</b><br>858-679-1191 |                      |
| DRAWN<br>M. LaBarbera   | 10/2013 | TITLE:<br><b>speedster</b>                  |                      |
| CHECKED   |         | SIZE  | DWG. NO.             |
| COMMENTS:   |         | <b>C</b>                                    | <b>1000DX-200</b>    |
| <small>PROPRIETARY AND CONFIDENTIAL<br/>THE INFORMATION CONTAINED IN THIS DRAWING IS THE SOLE PROPERTY OF MYTEE PRODUCTS, INC. ANY REPRODUCTION IN PART OR AS A WHOLE WITHOUT THE WRITTEN PERMISSION OF MYTEE PRODUCTS, INC. IS PROHIBITED.</small> |         | SCALE: 1:48                                 | DO NOT SCALE DRAWING |
|   |         | SHEET 1 OF 3                                | REV<br><b>G</b>      |



|   |         |                                      |                 |
|---|---------|--------------------------------------|-----------------|
| NAME  | DATE    | MYTEE PRODUCTS, INC.                 |                 |
| DRAWN M.LaBarbera   | 10/2013 | 858-679-1191                         |                 |
| CHECKED   |         | TITLE:                               |                 |
| COMMENTS:   |         | speedster                            |                 |
| PROPRIETARY AND CONFIDENTIAL<br>THE INFORMATION CONTAINED IN THIS DRAWING IS THE SOLE PROPERTY OF MYTEE PRODUCTS, INC. ANY REPRODUCTION IN PART OR AS A WHOLE WITHOUT THE WRITTEN PERMISSION OF MYTEE PRODUCTS, INC. IS PROHIBITED. |         | SIZE DWG. NO.<br><b>C</b> 1000DX-200 | REV<br><b>G</b> |
| SCALE: 1:48   |         | DO NOT SCALE DRAWING                 | SHEET 2 OF 3    |

## REVISIONS

| REV. | DESCRIPTION                                | DATE       | APPROVED |
|------|--|------------|----------|
| OD   | ORIGINAL DRAFT                             | -          | JFL      |
| A    | REPLACED G003 W G022                       | 8/2013     | JFL      |
| B    | H033 REPLACED W H342, ADDED H210 & H216    | 10/8/2013  | JFL      |
| C    | G021 REPLACED w G097                       | 10/22/2013 | JFL      |
| D    | ADDED H434 & H765                          | 6/16/2014  | ML       |
| E    | REPLACED H347 WITH B173; ADDED B170, PH612 | 7/15/2014  | ML       |
| F    | REPLACED H219 W H042                       | 8/8/2014   | ML       |
| G    | ADDED B241                                 | 4/15/2015  | ML       |



|  |              |         |  |                                     |              |
|--|--------------|---------|--|-------------------------------------|--------------|
|  | NAME         | DATE    | <b>MYTEE PRODUCTS, INC.</b><br><small>858-679-1191</small> |                                     |              |
| DRAWN  | M. LaBarbera | 10/2013 |  |                                     |              |
| CHECKED  |              |         | TITLE:   |                                     |              |
| COMMENTS:  |              |         | <b>speedster</b>   |                                     |              |
| <small><b>PROPRIETARY AND CONFIDENTIAL</b><br/>THE INFORMATION CONTAINED IN THIS DRAWING IS THE SOLE PROPERTY OF MYTEE PRODUCTS, INC. ANY REPRODUCTION IN PART OR AS A WHOLE WITHOUT THE WRITTEN PERMISSION OF MYTEE PRODUCTS, INC. IS PROHIBITED.</small> |              |         | SIZE   | DWG. NO.                            | REV          |
|  |              |         | <b>C</b>   | <b>1000DX-200</b>                   | <b>G</b>     |
|  |              |         | SCALE: 1:48  | <small>DO NOT SCALE DRAWING</small> | SHEET 3 OF 3 |